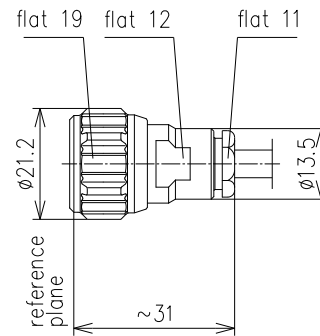


CABLE PLUG-TYPE N



Part number	BN 29 66 50		
Connector type	N plug		
Version	clamped		
Impedance	50 Ω		
Frequency range	0 - 1 GHz	1 - 2 GHz	2 - 5 GHz
VSWR	≤ 1.03	≤ 1.06	≤ 1.11
Material and surface			
Inner conductor	copper alloy	gold-plated	
Outer conductor	copper alloy	silver-plated	
Other metal parts	copper alloy	bright nickel-plated	
Insulation	PTFE		
Sealing	silicone rubber		
Degree of protection	IP68 (mated)		
Cable compatibility	RG 58 C/U, RG 142 B/U, RG 223/U, RG 400/U		
Standards	IEC 61169-16		
Installation instructions	M30757		
Weight	approx. 0.03 kg		
Included in delivery	installation instructions		
Delivery status	inner conductor attached separately		